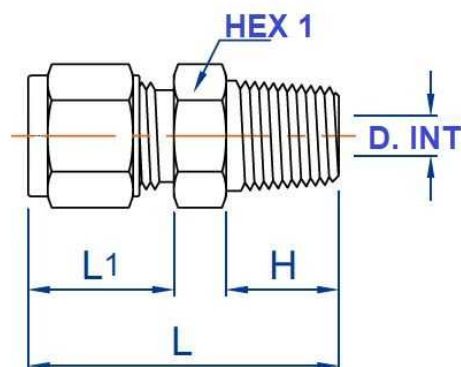


Racor Doble Anillo Trale LOK

Uniones rectas tubo-rosca macho

**Racor recto rosca cónica BSPT**

Acero Inoxidable AISI 316-L-1.4404



Artículo	ØD1	R1	Ø int	L	L1	HEX 1	H
<b>ZKIM1008</b>	5/8"	1/2"					
<b>ZKIM0404</b>	1/4"	1/4"	5.08	37,85	17,78	9/16"	14,22
<b>ZKIM0604</b>	3/8"	1/4"	7.11	39,87	19,3	5/8"	14,22
<b>ZKIM0606</b>	3/8"	3/8"	7.11	39,87	19,3	11/16"	14,22
<b>ZKIM0804</b>	1/2"	1/4"	7.11	43,43	22,09	13/16"	14,22
<b>ZKIM0806</b>	1/2"	3/8"	9.65	43,43	22,09	13/16"	14,22
<b>ZKIM0808</b>	1/2"	1/2"	10.41	49,02	22,09	7/8"	19,05
<b>ZKIM06M04</b>	6	1/4"	5	38,1	17,7	14	14,3
<b>ZKIM06M06</b>	6	3/8"	5	38,5	17,7	18	14,3
<b>ZKIM06M08</b>	6	1/2"	5	44,8	17,7	22	19,10
<b>ZKIM08M06</b>	8	3/8"	6.5	39,30	18,6	18	14,3
<b>ZKIM08M08</b>	8	1/2"	6.5	45,6	18,6	22	19,10
<b>ZKIM10M04</b>	10	1/4"	7.1	40.9	19,5	18	14.3
<b>ZKIM10M06</b>	10	3/8"	7.9	40,9	19,5	18	14,3
<b>ZKIM10M08</b>	10	1/2"	7.9	47,5	19,5	22	19,10
<b>ZKIM12M08</b>	12	1/2"	9.5	49	22	22	19,10
<b>ZKIM16M04</b>	16	1/4"	7.1	44.01	21,81	24	14.3
<b>ZKIM16M06</b>	16	3/8"	9.5	44.1	22	24	14.3
<b>ZKIM16M08</b>	16	1/2"	11.9	49	22	24	19.1
<b>ZKIM16M12</b>	16	3/4"	12.7	50.5	22	27	19.1
<b>ZKIM22M12</b>	22	3/4"	16	52.3	22	30	19.1
<b>ZKIM22M16</b>	22	1"	18	57.71	21,81	35	23.9